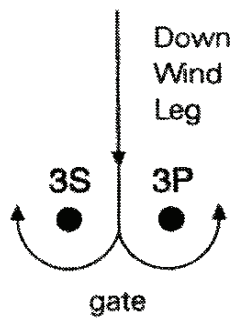


Star Class Courses
(STCR 34.3 and 34.4)

In case of small regattas the starting line may be set up at mark 3 and the finishing line at mark 1 or mark 3.



Courses 0, 1, 2, 3 and 4 are diagramed as described in STCR 34.3 and modified in the diagrams as allowed by STCR 34.4.

In Gold and Silver events, Course 0, 1, 3 or 4 shall be used. Course 2 may be used in Silver events if requested by the sponsoring fleet and approved by the Continental Committee.

In Blue and Green events Course 0, 1, 2, 3, and 4 shall be used.

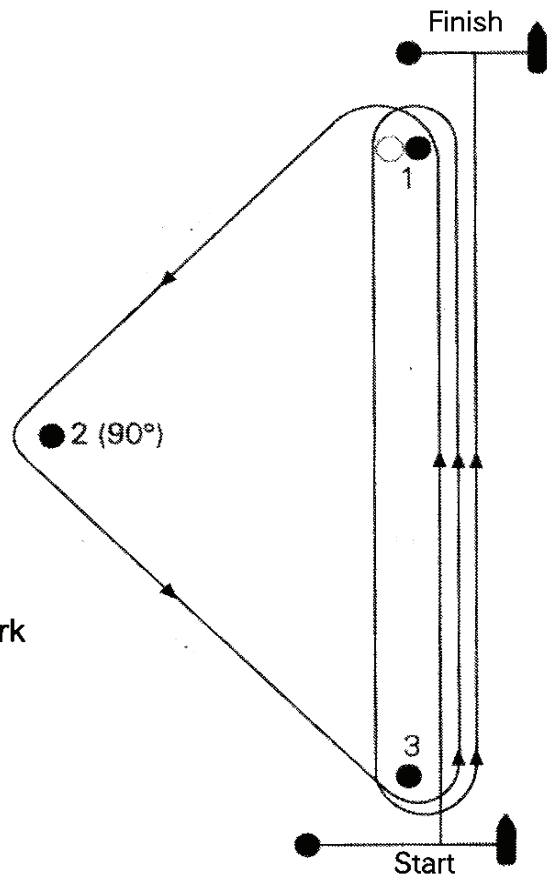
No course may be shortened during Gold, Silver, Blue or Green Events.

In Red events and Qualifications the above courses are not mandatory and may be shortened.

Course "0"

Start
1
2
3
1
3 (or gate 3A – 3B)
Finish (upwind)

○ = optional offset mark



Course "1"

Start

1

2

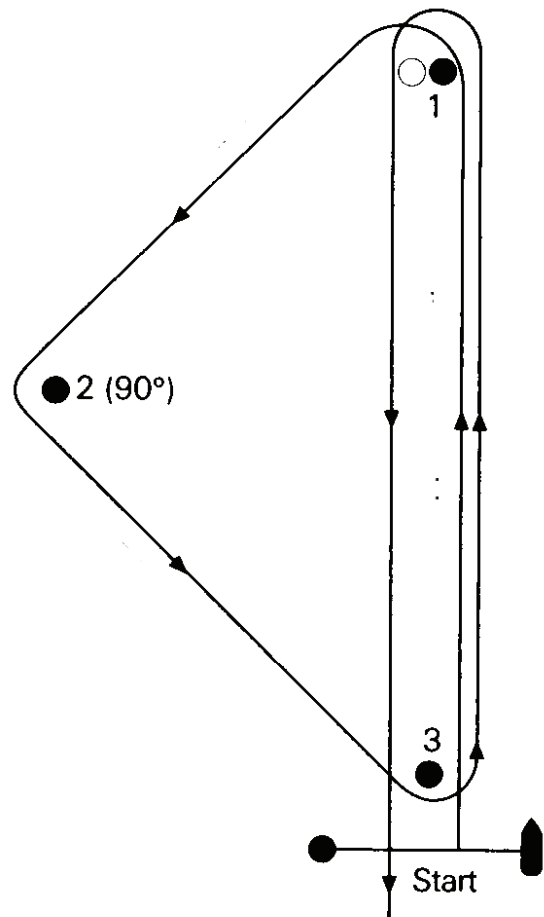
3

1

(or 1 + offset mark)

Finish (downwind)

○ = optional offset mark



Course "2"

The same Course as Course "0"

Start

1

2

3

1

(or 1 + offset mark)

3 (or gate 3A - 3B)

1

2

3

Finish (upwind)

Course 2 may not be used at Gold events, and may only be used at Silver events with approval of the continental committee. (STCR 34.3.1)

Course "3"

Start

1

2

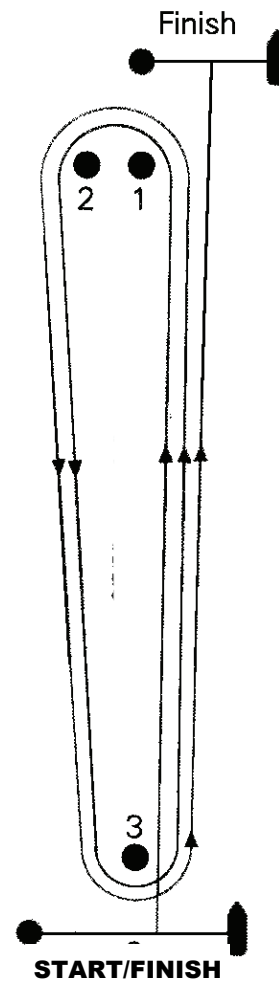
3 (or gate 3A-3B)

1

2

3 (or gate 3A-3B)

Finish (upwind)



Course "4"

Start

1

2

3 (or gate 3A - 3B)

1

2

Finish (downwind)

